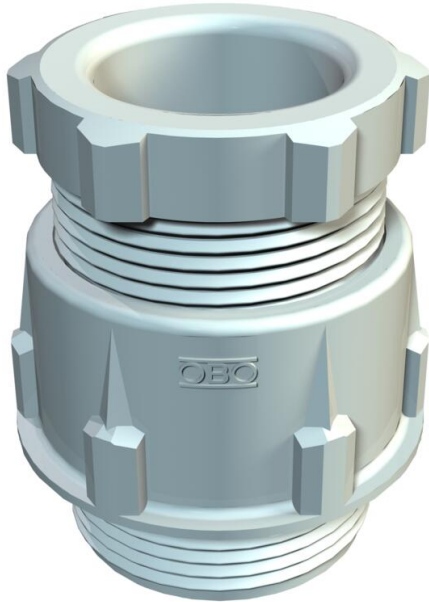


Technical data sheet

Cone cable gland, PG thread, light grey

Item number: 2036290



Standard cable gland, shape A, to DIN 46320 with simple NR/SBR sealing ring.
PG connection thread in accordance with DIN 40430.

Protection rating: with connection thread sealing ring IP65, without connection thread sealing ring IP54.

Note: Only tighten polystyrene cable glands lightly due to the risk of stress crack formation.

Shock-resistant



PS Polystyrene

Master data

| | |
|------------------------------------|--------------------------|
| Item number | 2036290 |
| Type | 106 PG29 |
| Description 1 | Cable gland |
| Manufacturer | OBO |
| Dimension | PG29 |
| Colour | Light grey; RAL 7035 |
| Material | Polystyrene |
| Smallest sales unit | 10 |
| Unit of quantity | Piece |
| Weight | 3.004 kg |
| Weight unit | kg/100 pc. |
| CO2 Footprint (GWP) Cradle-to-Gate | 0,1438 kg CO2e / 1 Piece |

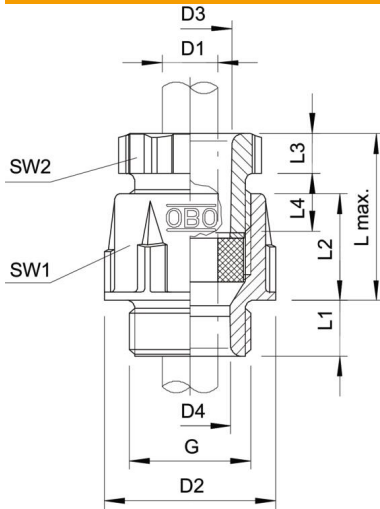
Technical data sheet

Cone cable gland, PG thread, light grey

Item number: 2036290



Dimensions



| | |
|------------------|---------|
| Length | 47.5 mm |
| Width | 47.5 mm |
| Height | 50 mm |
| Dimension D1 | 25 mm |
| Dimension D2 | 47.5 mm |
| Dimension D3 | 30 mm |
| Dimension D4 | 27.5 mm |
| Dimension G | Pg29 mm |
| Dimension L max. | 42 mm |
| Dimension L1 | 11 mm |
| Dimension L2 | 20.5 mm |
| Dimension L3 | 8 mm |
| Dimension L4 | 18 mm |

Technical data

| | |
|--------------------------|--------------|
| Type of seal | Sealing ring |
| Version for | Straight |
| Bend protection | no |
| Sealing area D, max. | 25 mm |
| Sealing area D, min. | 18 mm |
| explosion-proof | no |
| For Ex zone | Without |
| For Ex zone gas | Without |
| For Ex zone dust | Without |
| Thread | Pg 29 |
| Thread type | PG |
| Thread length | 11 mm |
| Nominal thread size | 29 |
| Fibre-glass reinforced | no |
| Halogen-free | yes |
| Sealing insert, multiple | no |
| With locknut | no |
| Impact-resistant | no |
| WAF 1 | 42 mm |
| WAF 2 | 40 mm |
| Protection rating | IP65 |
| Splittable gland | no |
| Strain relief option | no |