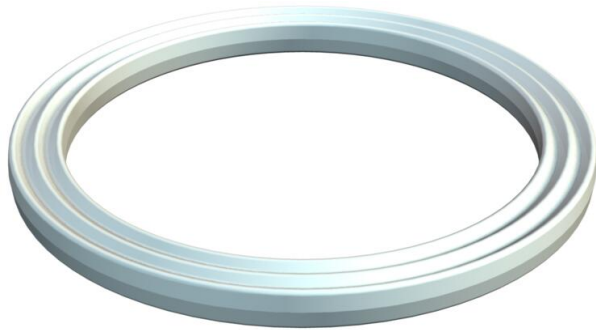


Technical data sheet

Connection thread sealing ring, PG

Item number: 2030136



Connection thread sealing ring, in accordance with Part 9 to DIN 46320, however, dimensions may, according to material or function, deviate, suitable for all plastic cable glands with PG connection thread to DIN EN 40430, the internal diameter of the sealing rings are designed so that they can be captively pre-mounted.

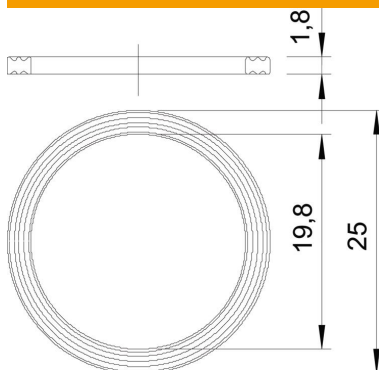


PE Polyethylene

Master data

Item number	2030136
Type	107 F PG13.5 PE
Description 1	Connection thread sealing ring
Manufacturer	OBO
Dimension	PG13,5
Material	Polyethylene
Smallest sales unit	100
Unit of quantity	Piece
Weight	0.03 kg
Weight unit	kg/100 pc.
CO2 Footprint (GWP) Cradle-to-Gate	0,0099 kg CO2e / 1 Piece

Dimensions



Dimension D1	25 mm
Dimension D2	19.8 mm
Dimension t	1.8 mm

Technical data sheet

Connection thread sealing ring, PG

Item number: 2030136



Technical data

Version for	Flat sealing ring
Screw for PG thread dimension	13.5
Halogen-free	yes
Inner diameter	19.8 mm