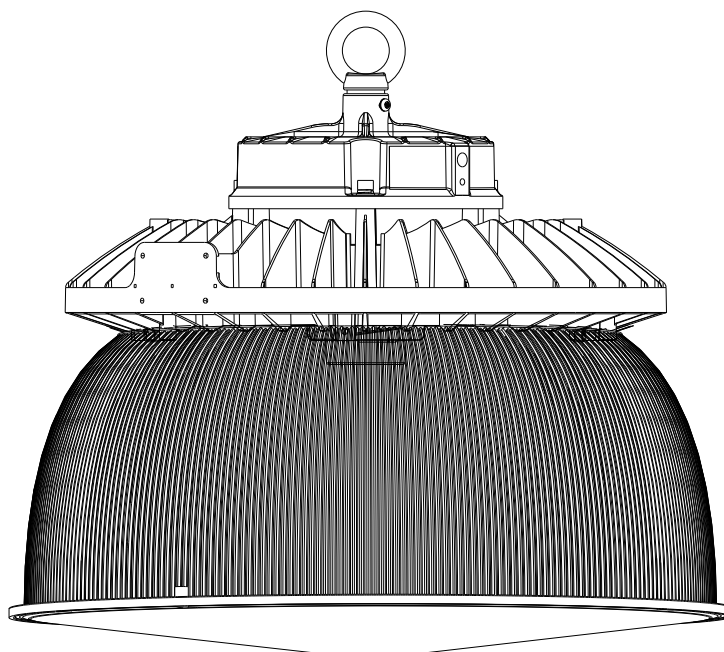


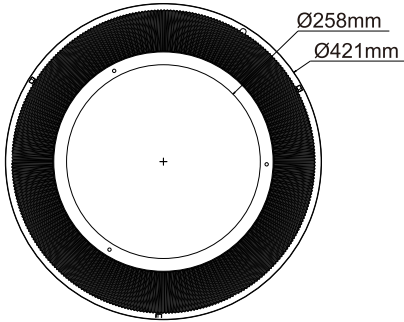
Polycarbonate Diffuser for Hisaver Highbay

Instruction Manual



Installation Manual for Polycarbonate Diffuser for Hisaver LED Highbay.

A. Physical Dimensions (Unit:mm)



Part	Qty
Reflector	1
Lens Base	1
Screw Ø4x12	3
Screw Ø3.5x8	1

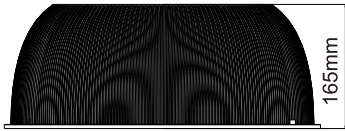
Please check all parts are in the kit prior to installation / assembly.



Screw A: 3 pcs

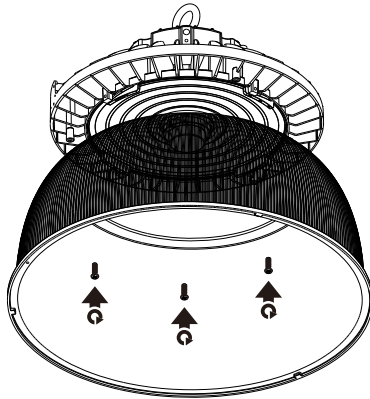


Screw B: 1 pc



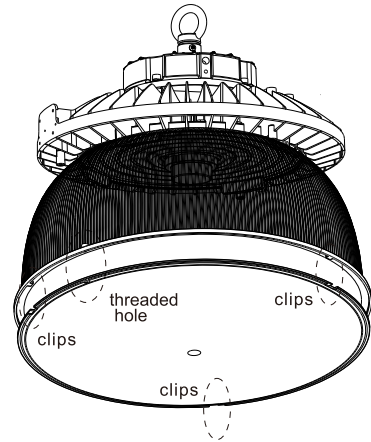
B. Installation Instruction

1.



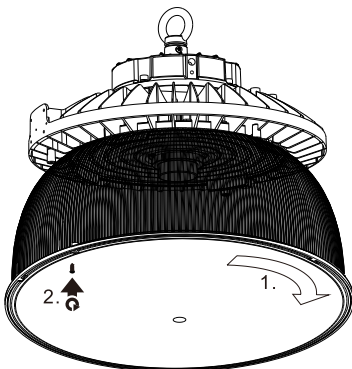
Install the diffuser body to the Hibay using the 3 screws. M4 x 12mm long

2.



Align the lower diffuser cover by matching the 3 twist clips and the lock screw hole positions

3.



Push the cover into the body and then rotate in a clockwise direction until the clips lock in place. Check the lock screw holes are aligned and then insert the M3.5x8 screw and gently tighten. 0.8Nm max

4.

